

# Formatic - S4000/180



**The Formatic range of machines from Deighton Manufacturing (UK) Ltd are the perfect solution to your food forming and portioning requirements.**

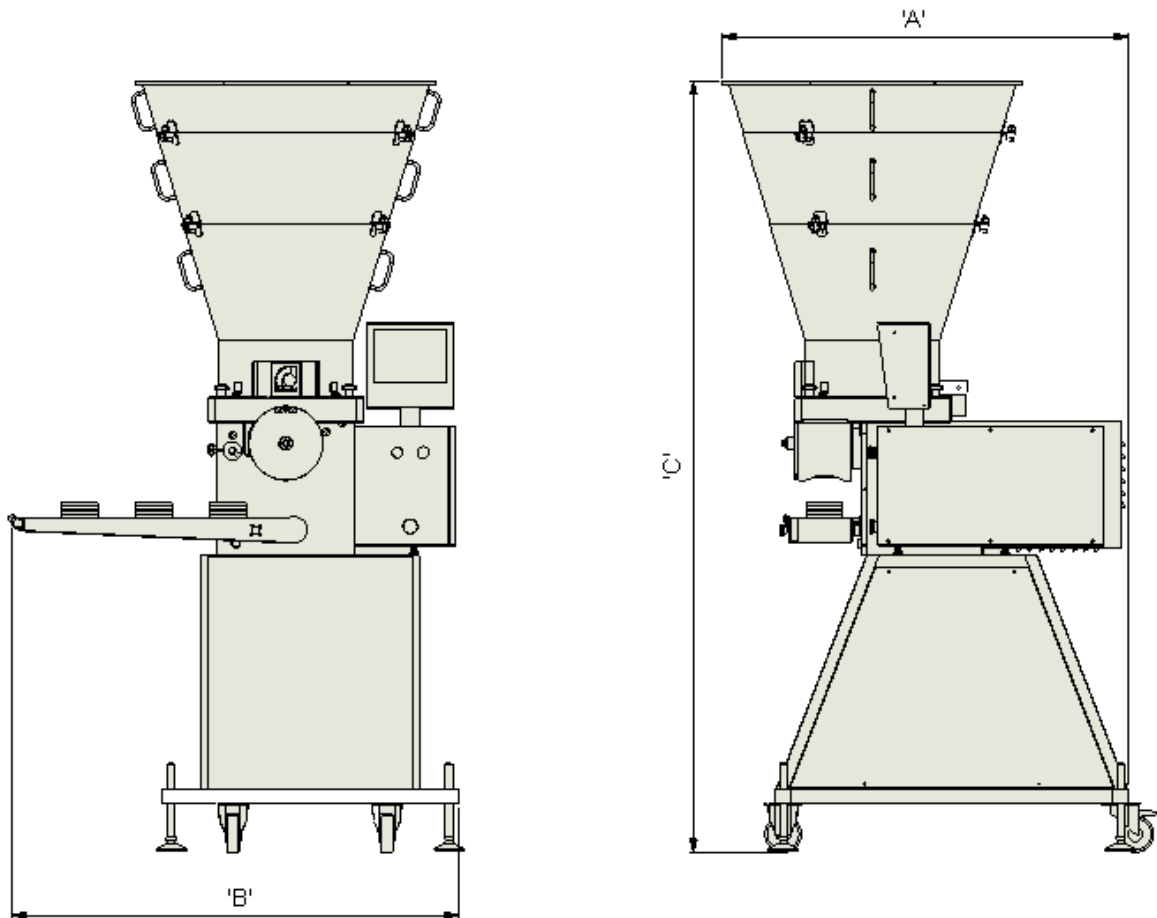
Able to form a wide range of products including meat, fish, potato, vegetable & ethnic, butter & cheese as well as bakery and confectionary, into a variety of shapes and sizes, the **Formatic** is the industry standard for small to high volume food producers.

The S4,000/180 is a top of the range model and can produce forms up to 135mm diameter at a rate of 8,000 drops per hour.

**DEIGHTON**

innovative food processing solutions

## Technical Specification



Machine	Length (A)	Width (B)	Height (C)	Weight	Power	Electricity Supply	Hopper Capacity	Output
S4,000/180	1094mm	1204mm	2087mm	200Kg	1900w	220/240v	200Lt	8,000/hr

[www.deightonmanufacturing.co.uk](http://www.deightonmanufacturing.co.uk)  
[sales@deightonmanufacturing.co.uk](mailto:sales@deightonmanufacturing.co.uk)

**DEIGHTON**

Deighton Manufacturing (UK) Ltd,  
 Gibson Street, Leeds Road, Bradford, England BD3 9TR  
 Tel: +44 (0)1274 668771 Fax: +44 (0)1274 665214

innovative food processing solutions